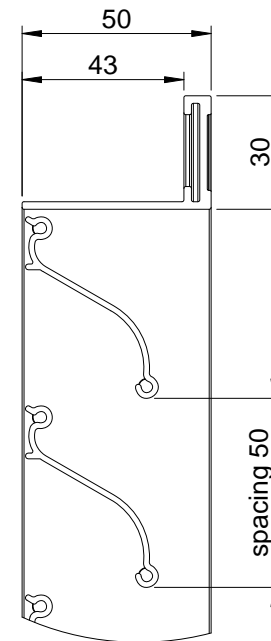
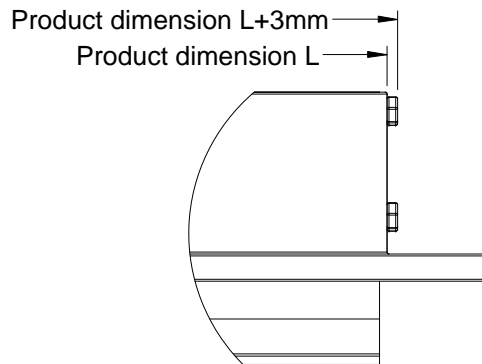


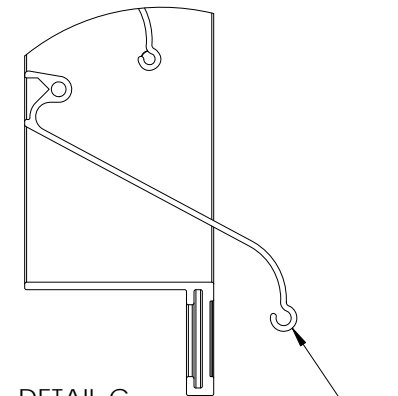
SECTION A-A



DETAIL B
SCALE 1 : 2

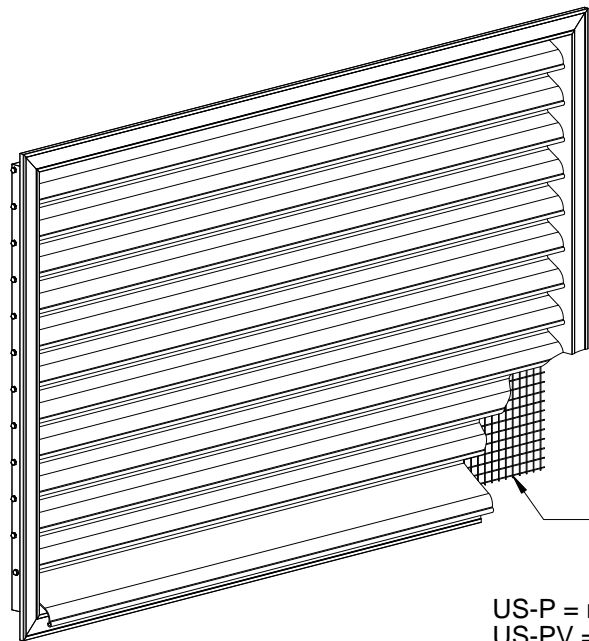


DETAIL D
SCALE 1 : 2


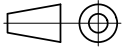



DETAIL C
SCALE 1 : 2

Standard case, bottom profile is wider.
Possible to make from same profile if required.



Net
13x13x1
if required.
US-P = no net
US-PV = with net

		Mittakaava Scale 1:10 A4	Tuote Product US-P	Piirtänyt Drawn by HRi
			Nimi Name US-P(V)_Det2_Profile 1	Pvm. piirretty Date created 15.2.2013
+358 (0)20 742 1700			Materiaali Material Alumiini	Pintakäsittely Surface finish Powder painting